

Characteristics

Model	max. vacuum -kPa(-mmHg)	Max. vacuum flow (NI/m)	air consumption (NI/m)	noise level (dBA)	weight (g)	min hose inner Ø (within 2m)		
						air supply	vacuum	exhaust
VTH50	100,8 (756)	185	120-156	60-65	632	>6	>12	>12
VTH150		521	420-456	60-65	780	>8	>15	>15
VTH300		1042	870-912	60-65	2682	>10	>19	>22

Induce air in liters per minute (NI/m)

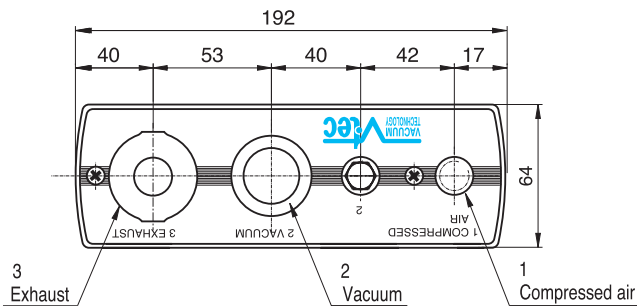
Model \ -mmHg -kPa	0	75	150	225	300	375	450	525	600	675	712.5	742.5
	0	10	20	30	40	50	60	70	80	90	95	99
VTH50	185	147	106	66	32	21	15	9,6	7,8	3,6	1,2	0,3
VTH150	521	423	307	198	105	78	54	39	27	7,8	3,6	0,48
VTH300	1042	846	614	396	210	156	108	78	54	15,6	7,2	0,96

Time in seconds to evacuate to vacuum level (sec/l)

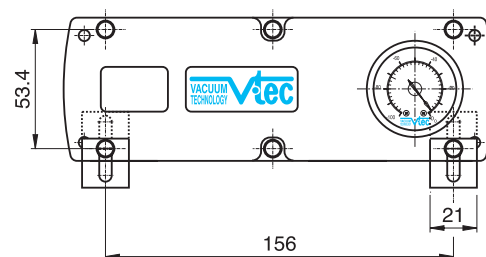
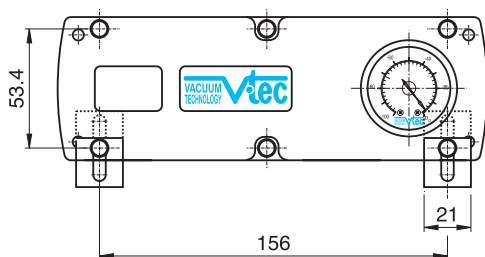
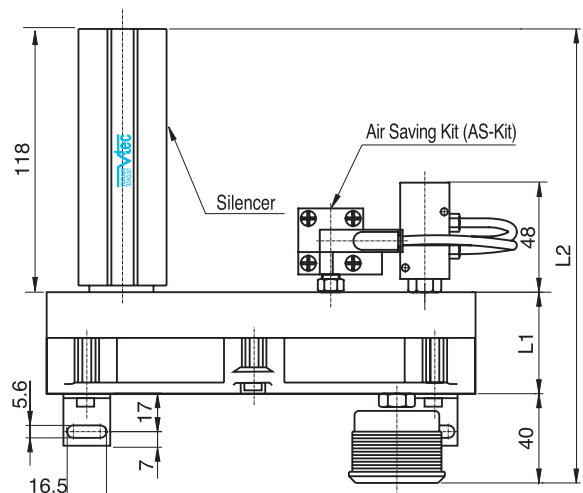
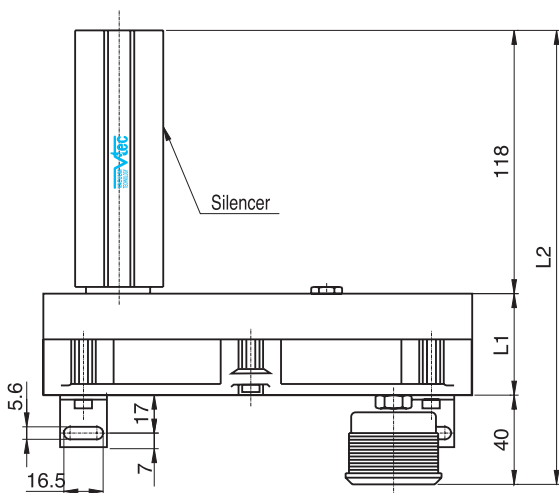
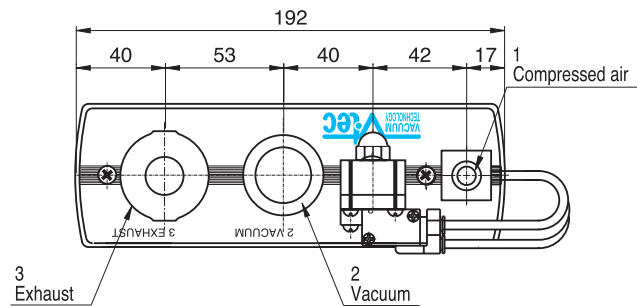
Model \ -mmHg -kPa	75	150	225	300	375	450	525	600	675	712.5	742.5
	10	20	30	40	50	60	70	80	90	95	99
VTH50	0,029	0,07	0,12	0,25	0,55	0,92	1,446	2,2	3,39	4,986	9,18
VTH150	0,011	0,025	0,05	0,097	0,17	0,272	0,41	0,6	1,17	1,82	3,586
VTH300	0,006	0,013	0,025	0,048	0,085	0,136	0,205	0,3	0,585	0,91	1,798

Dimensional Information

Standard



with AS - KIT



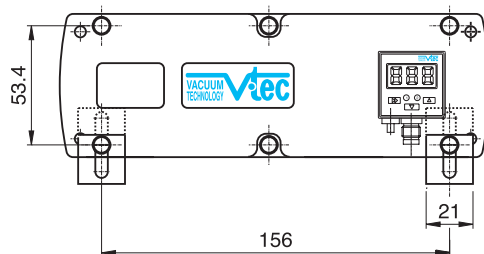
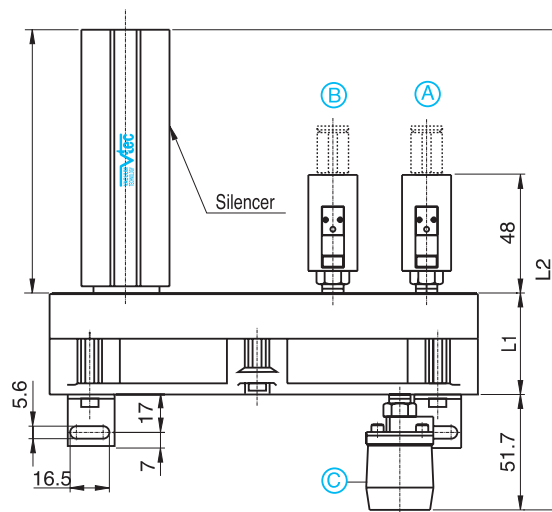
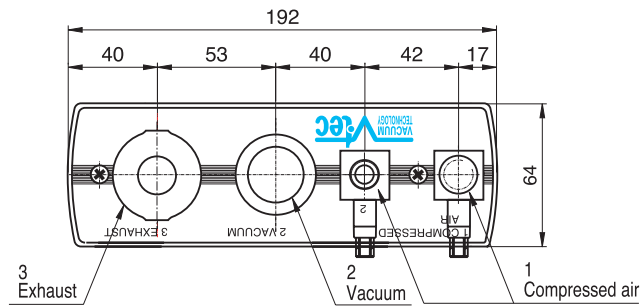
Port 1 : G1/4", NPT1/4"
 Port 2 : G1/2", G3/4", G1"
 NPT1/2", NPT3/4", NPT 1"
 Port 3 : G3/4"

Model	(mm)	
	L1	L2
VTH50	45.5	203.5
VTH150	65	223

Port 1 : G1/8"
 Port 2 : G1/2", G3/4", G1"
 NPT1/2", NPT3/4", NPT 1"
 Port 3 : G3/4"

Dimensional Information

- Air supply control valve
- Vacuum release control valve
- Digital display vacuum switch



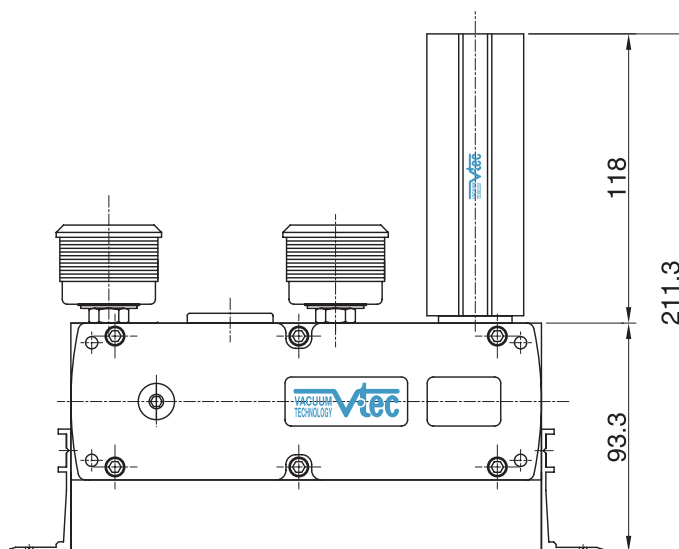
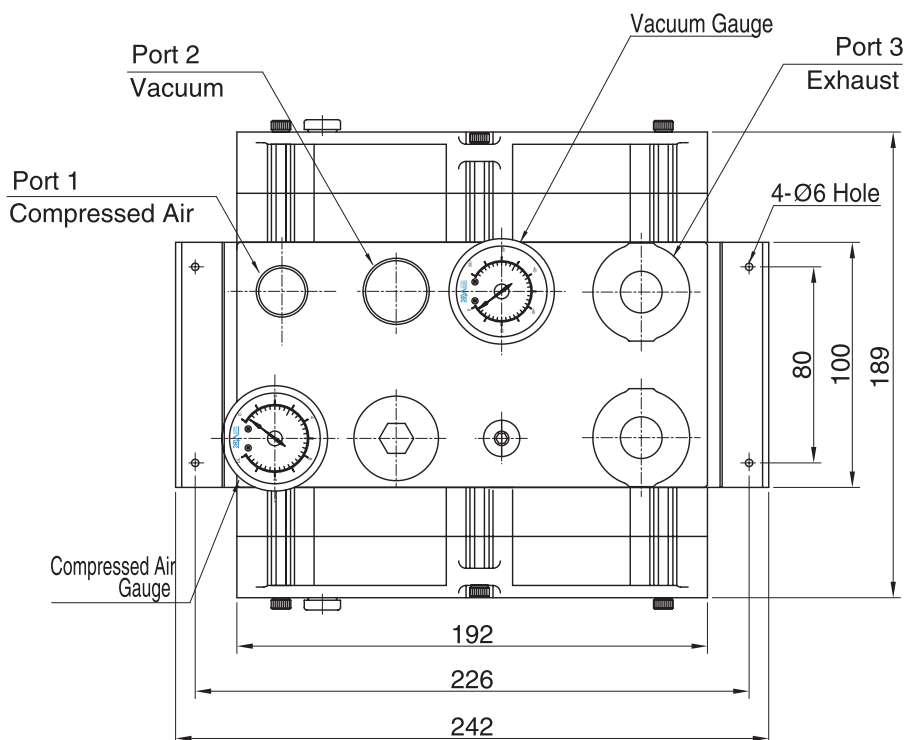
- Port 1 : G1/8"
- Port 2 : G1/2", G3/4", G1"
NPT1/2", NPT3/4", NPT 1"
- Port 3 : G3/4"

Model	(mm)	
	L1	L2
VTH50	45.5	203.5
VTH150	65	223

Dimensional Information

Standard

VTH 300



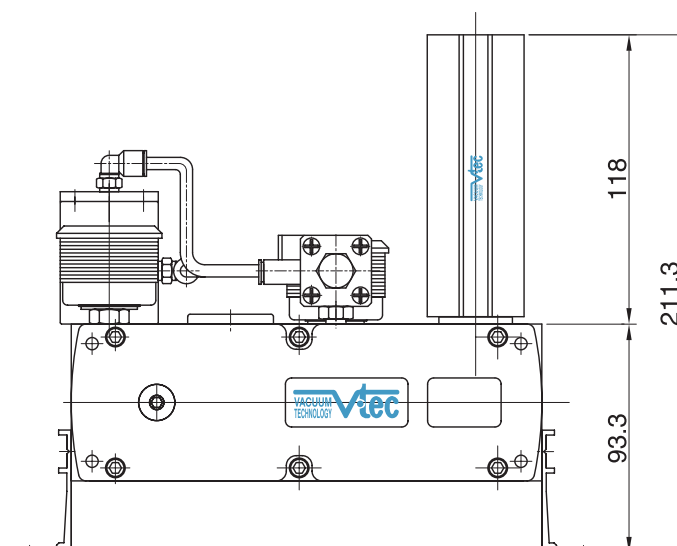
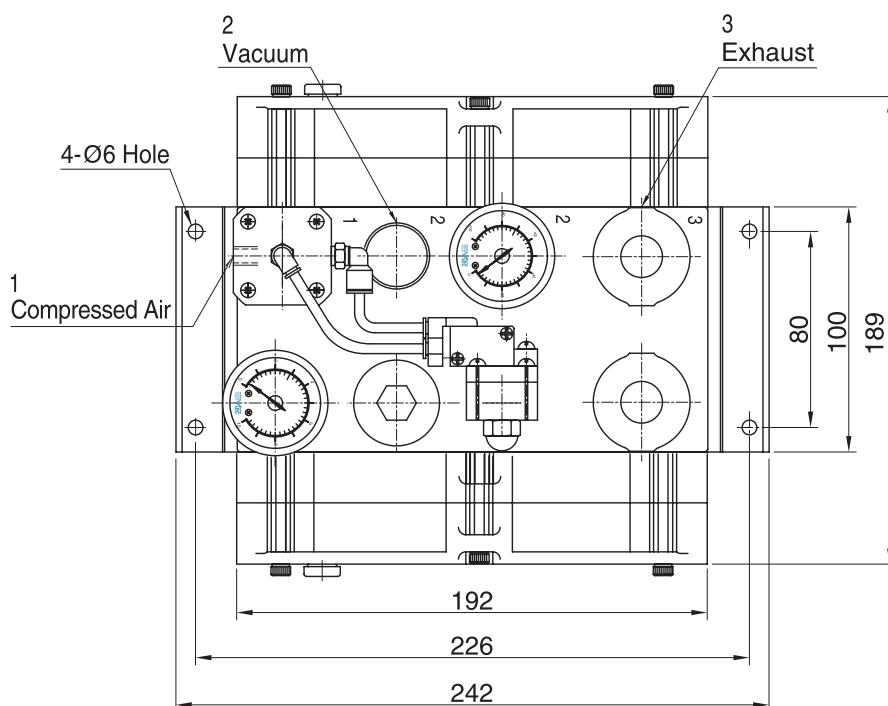
Port1 : G1/2"

Port2 : 2xG3/4"(V34), G1"(V01)

Port3 : 2xG3/4"

Dimensional Information

with AS - KIT



- Port1 : G3/8"
- Port2 : 2xG3/4"(V34), G1"(V01)
- Port3 : 2xG3/4"